

Scooter Racks

Product Range

☎ 1 734 207 9700



Communities across the country are encouraging children to adopt healthier lifestyles which has seen an increase in children riding their scooters to schools and sporting venues.

As with bicycles, there is a need to provide storage and security for these mini modes of transport while they are left unattended, often all day.

Securabike has designed and developed a range of products that are suitable for locations such as schools and shopping centers, as well as amusement and sporting venues.

Advantages

- Safely secures scooters
- Keeps areas free from clutter
- Encourages children to exercise



Applications

- Schools
- Swimming pools
- Libraries
- Shopping plazas
- Sport venues.

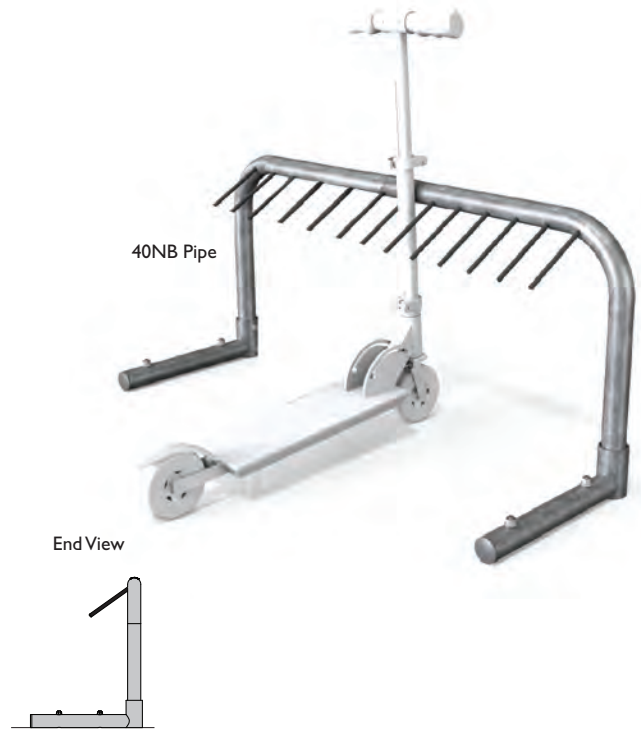
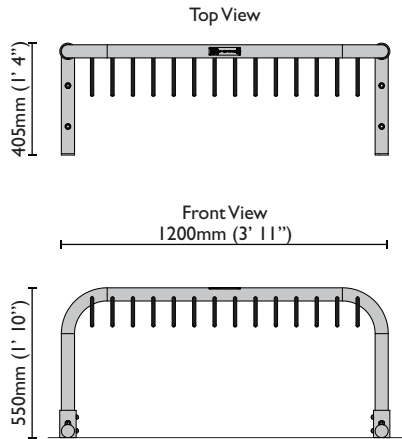


Introduction	1
Bicycle Facts	4
Design Guide	6
Installation	13
Consulting	14
Security Classes	15
Product Selection	16
PRODUCT RANGE	
Racks	17
Repair Stations	72
End-of-Journey	82
Cages	100
Lockers	104
Shelters	116
Scooters Racks	126
Other Products	129
Clothes Lockers	135
Packaging	142
Index	143

Racks for Scooters and Skateboards

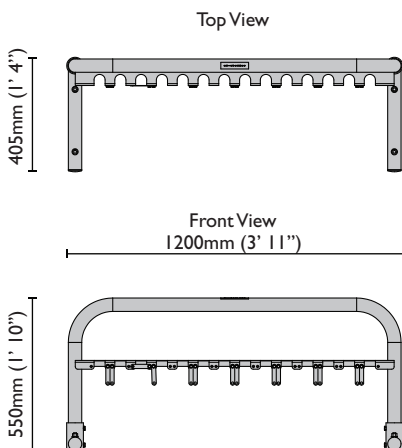
SCR13

Provides parking for up to 13 scooters and skateboards

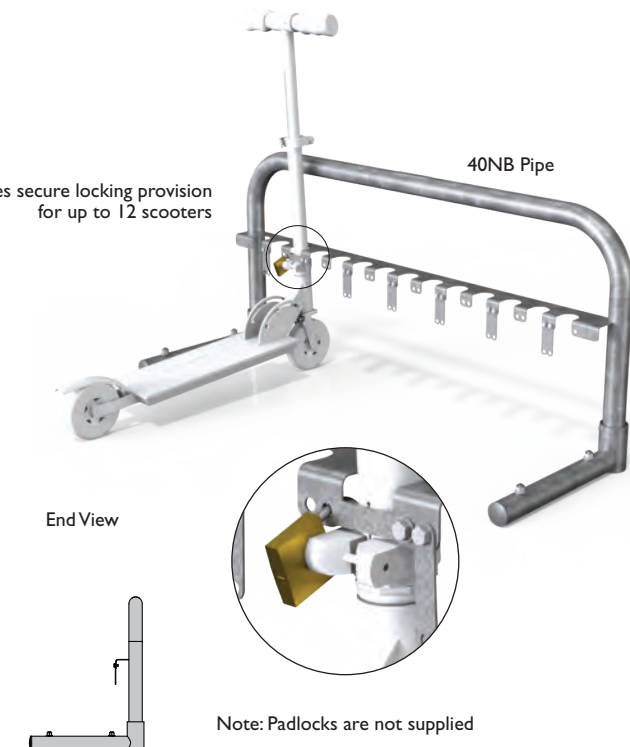


SCR12L

Lockable



Provides secure locking provision for up to 12 scooters



Material Specifications (General)

SCR13 40NB (50.0) x 1.5mm {40NB (2") x 0.06"} light duty pipe / Ø12mm (Ø0.5") round bars / Galvanized / Powder coated in a range of colors

SCR12L 40NB (50.0) x 1.5mm {40NB (2") x 0.06"} light duty pipe / Galvanized / Powder coated in a range of colors

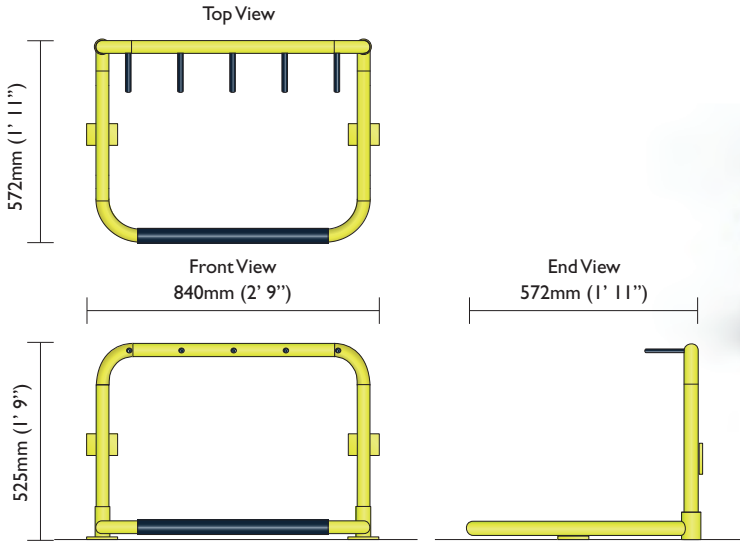


Racks for Scooters and Skateboards

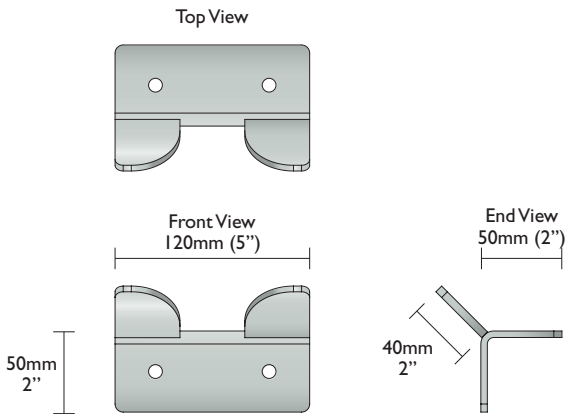
Product Range

1 734 207 9700

BSS40 Domestic Rack



SKB1 Skateboard Blocker



Protects property against damage caused by skateboards

Material Specifications (General)

BSS40 40NB (50.0) x 1.5mm {40NB (2") x 0.06"} pipe / Galvanized / Powder coated in a range of colors

SKB1 Galvanized / Powder coated in a range of colors

