

# Clothes Lockers



Securabike laminate and steel clothes lockers complement our range of bicycle parking products in both style and security.

For work environments, especially in warmer climates, it is important to offer usable bicycle commuter parking with clean and secure locker and shower facilities.

## Laminate Lockers

Laminate modular lockers come in a range of aesthetic colours and timber finishes suitable for both retrofit and new installations and are supplied flat packed for ease of transport and assembly. They are available in a number of size configurations to meet cyclists' needs.

## Steel Lockers

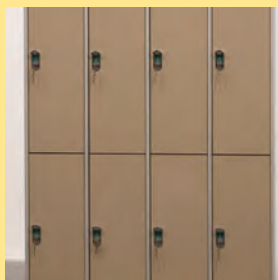
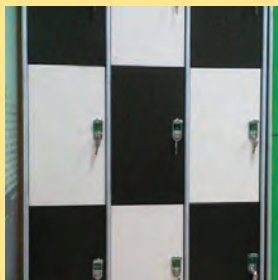
Steel lockers are suitable for inclusion in any of Securabike's end-of-journey modules, cages or for fitting into existing bicycle parking facilities. They are supplied in sets of 3 in kit form and can be easily snap-assembled.

## Advantages

- Modular units to suit application
- Stylish design and colours
- Single, and multiple configuration
- Individually secured locking

## Applications

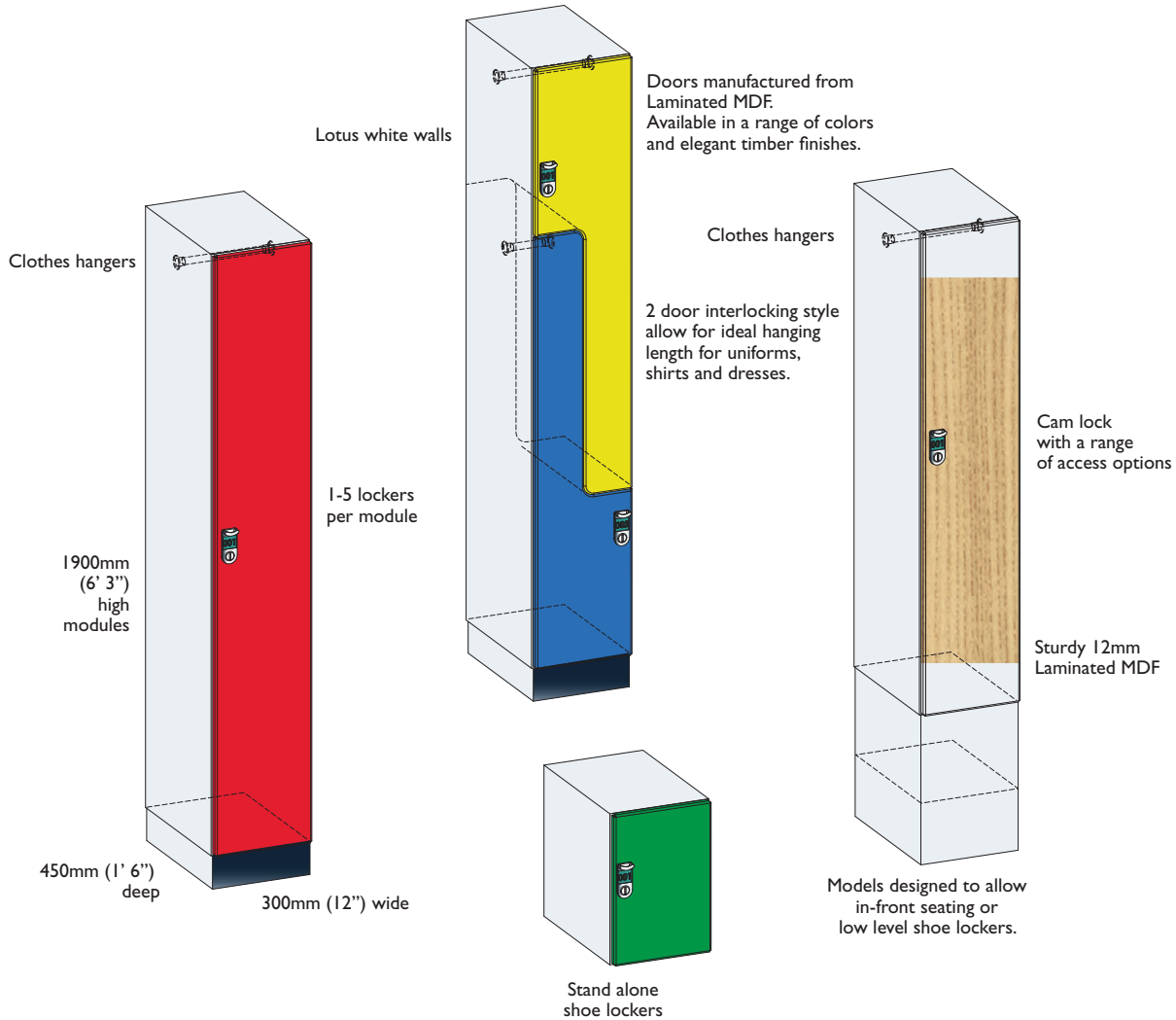
- Commercial workplaces
- University and college campuses
- Industrial complexes



# Clothes Lockers

## Laminate Lockers Features

A range of configurations allow for economical use of space while not compromising on room for hanging clothes.

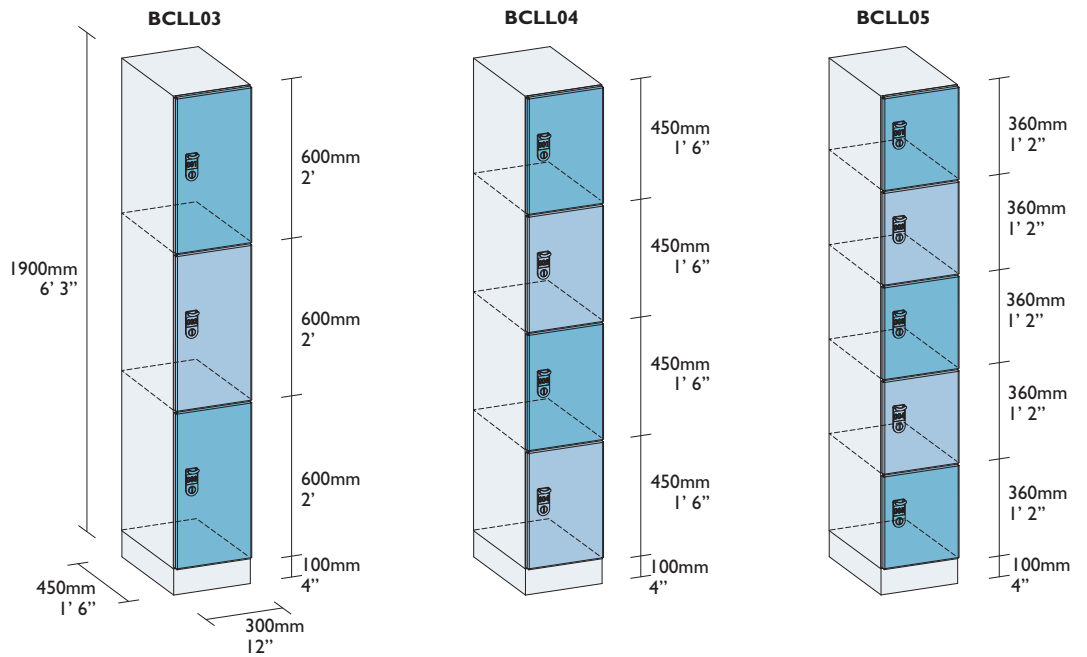
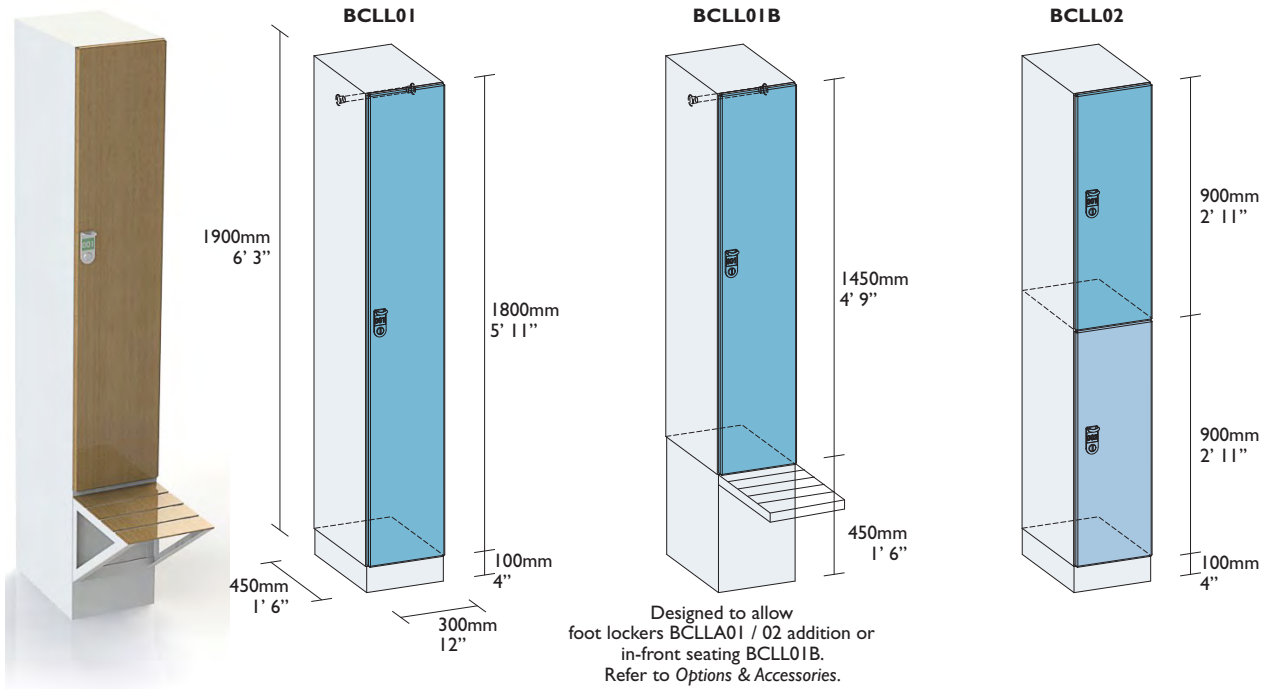


Introduction	1
Bicycle Facts	4
Design Guide	6
Installation	13
Consulting	14
Security Classes	15
Product Selection	16
PRODUCT RANGE	
Racks	17
Repair Stations	72
End-of-Journey	82
Cages	100
Lockers	104
Shelters	116
Scooters Racks	126
Other Products	129
Clothes Lockers	135
Packaging	142
Index	143

Doors available in a range of colors and elegant timber finishes.  
(minimum order quantity 30 units)



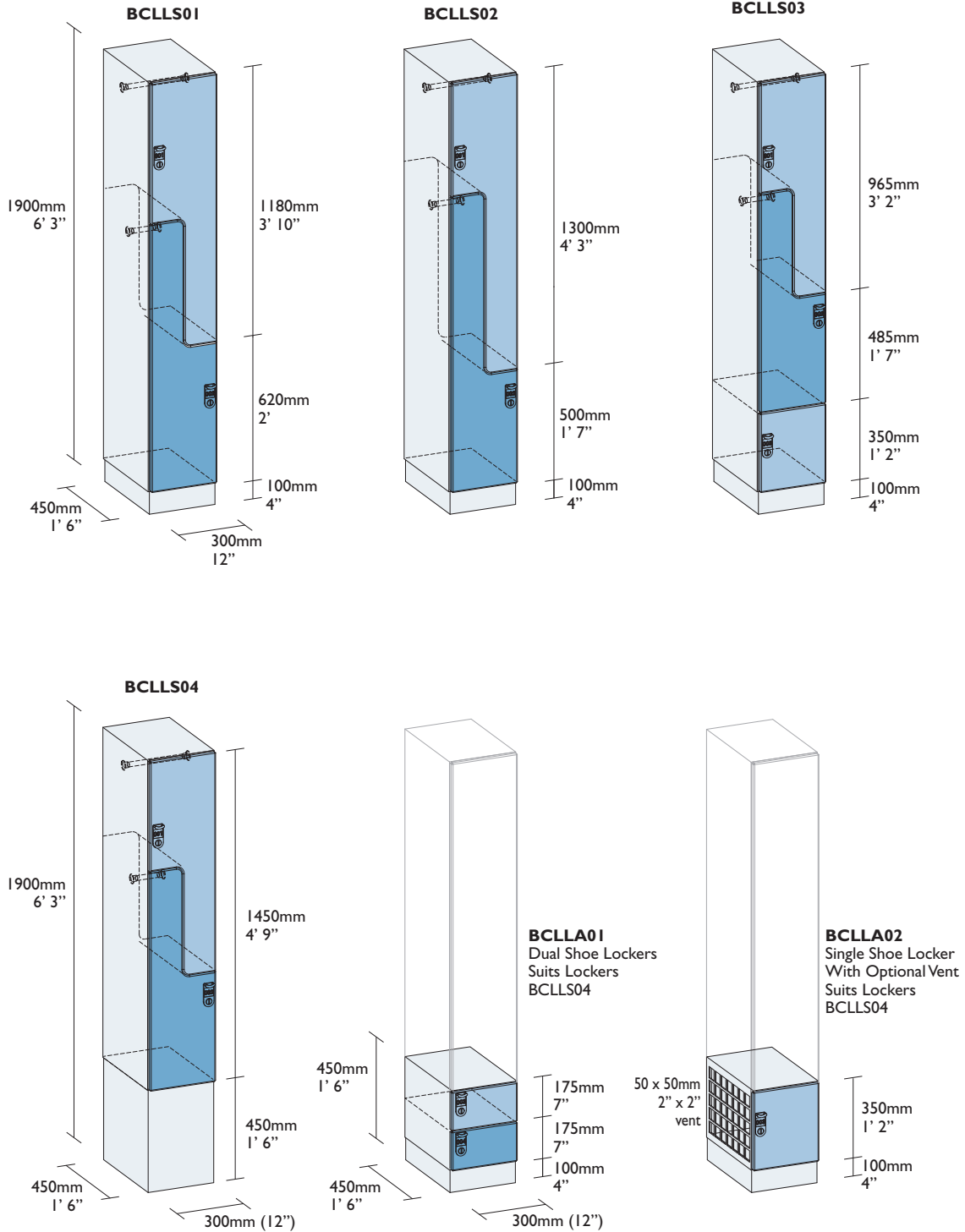
Laminate Lockers  
Standard



# Clothes Lockers

## Laminate Lockers Staggered

Many cycling commuters, particularly office workers, store work attire at their workplace so lockers with deep hanging space is an important consideration. Staggered lockers provide excellent hanging space to avoid creasing clothes, while maintaining adequate space for apparel such as bicycle helmets.



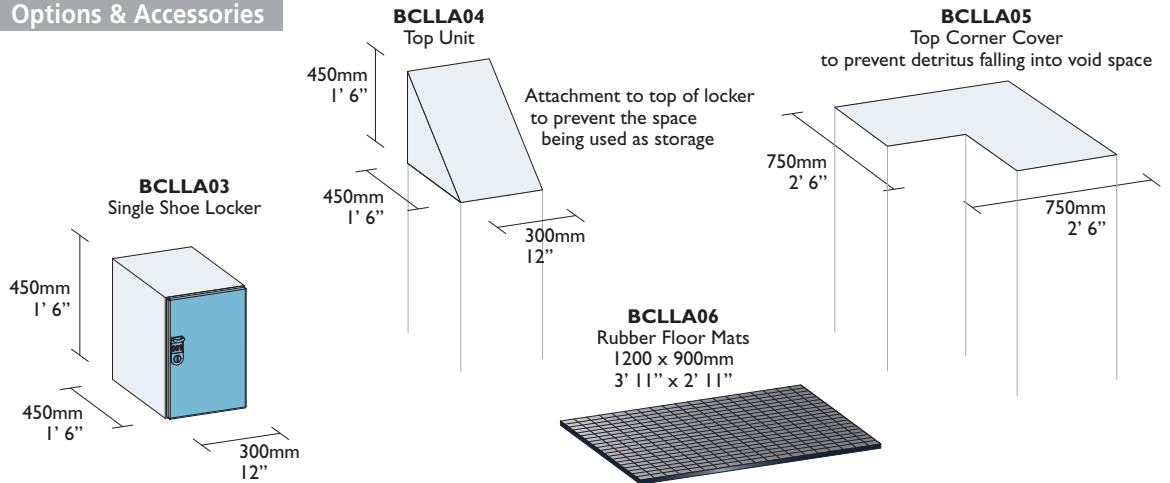
Designed to allow foot lockers BCLLA01 / 02 addition or in-front seating BCLL01B. Refer Options & Accessories.

Mesh sides to shoe section provides good ventilation. Fan and ducting at locker bay ends can greatly increase air flow to aid in drying shoes and reducing odors.

## Clothes Lockers

### Laminate Lockers

#### Options & Accessories



**BCL321.54.800**  
Coin operated lock.  
Left hand lock.

**BCL234.54.801**  
Coin operated lock.  
Right hand lock.



**BCL231.98.001**  
Pin code lock with master pin system. Time limit option.  
Choice of locker or can be assigned. Uses 3 x AAA batteries.

**BCL231.98.011**  
Pin code lock with master pin system. No time limit option.  
Choice of locker or can be assigned. Batteries not required.

**BCL231.98.020**  
Pin and RFID with master pin system. Time limit option.  
Choice of locker or can be assigned. Uses 3 x AAA Batteries



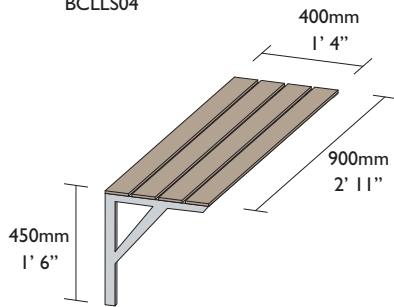
**BCLPROGRAMMER**  
Remote programmer to program and control locks.

**BCL231.98.210**  
Battery pack for  
BCL231.98.001 / 020

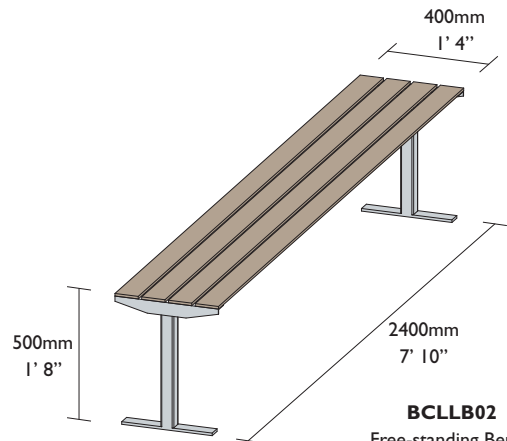
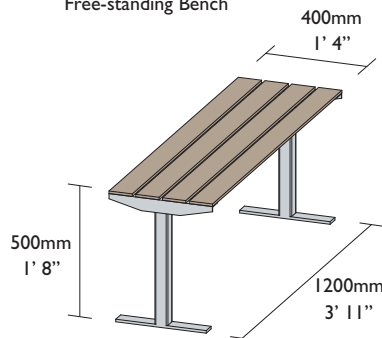
**BCLFOB**  
Key fob for RFID card



**BCLLB01B**  
Under-Locker Bench  
Suits Lockers  
BCLLS04



**BCLLB01**  
Free-standing Bench



**BCLLB02**  
Free-standing Bench

# Clothes Lockers

## Steel Lockers

Steel clothes lockers are supplied in kit form. They can be quickly snap-assembled – no tools required.

**BCL01**  
3 Door Locker Unit



Optional Number / name plate



Two keys supplied with every locker

Ventilation slots

**BCL02**  
6 Door Locker Unit



**BCL03**  
9 Door Locker Unit

