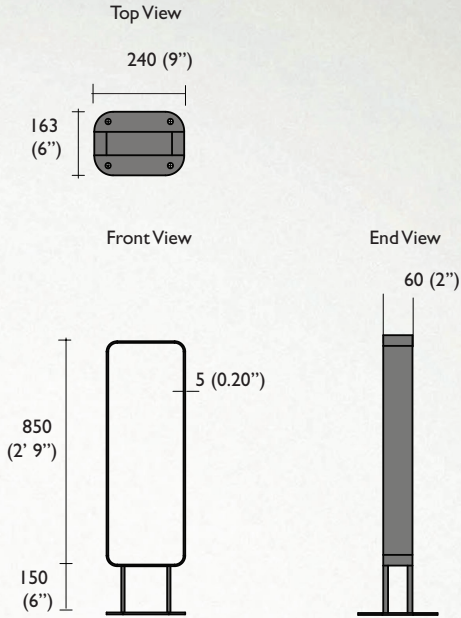


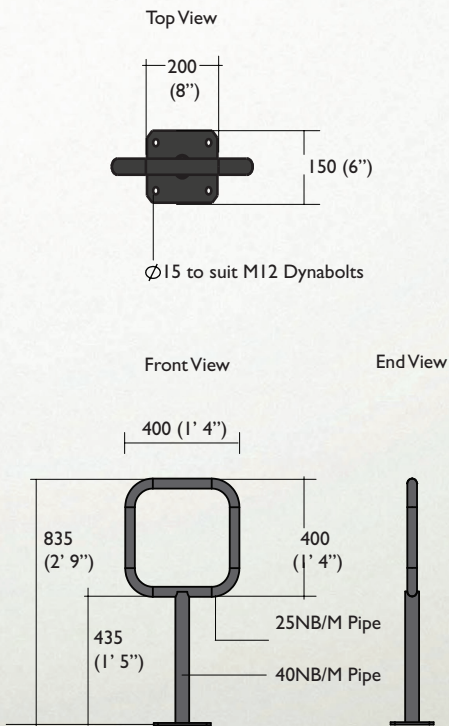
Parklands Racks Range

Product Range

BR605 Inside Rack



DT053



Material Specifications (General)

BR605 60x5mm (2" x 0.20") Mild Steel plate / 240x163x6mm (9" x 6" x 0.24") baseplate / 150x60x3mm RHS (6" x 2" x 0.12")
DT053 25NB and 40NB pipe / 200x150x8mm (8" x 6" x 0.32") baseplate



PARKLANDS