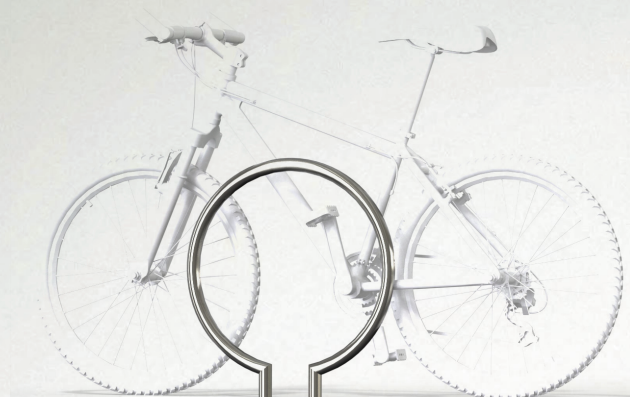
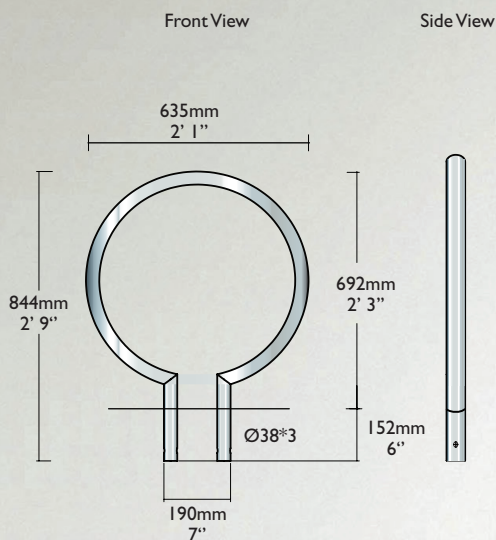
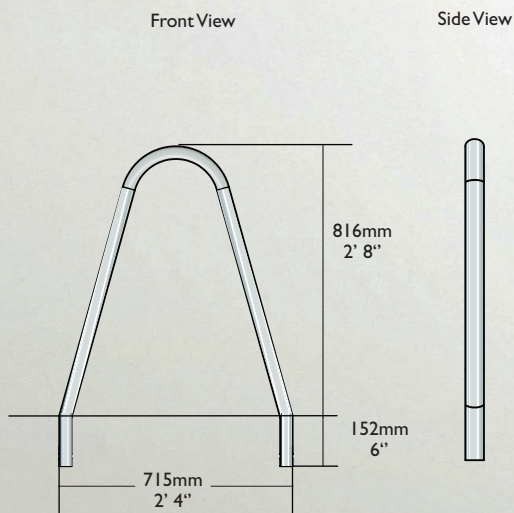


Parklands Racks Range

BR14F
Lock Rack



BR131
Venture Rack



Material Specifications (General)

Mild steel 38 x 3mm {1.5" x 0.12"} Pipe / Hot dipped galvanized / Powder coated in a range of colors
Stainless steel 38 x 1.5mm {1.5" x 0.06"} Stainless steel pipe / Linished

