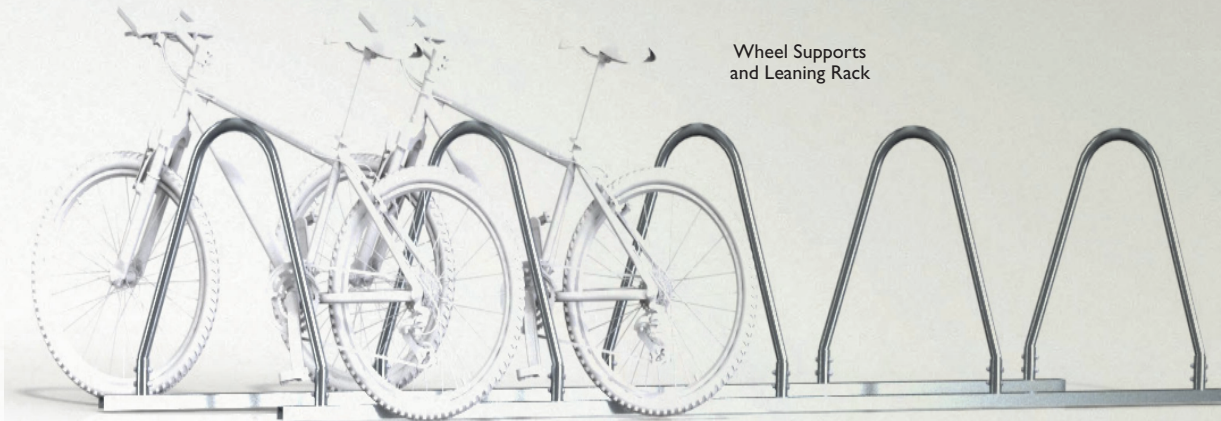


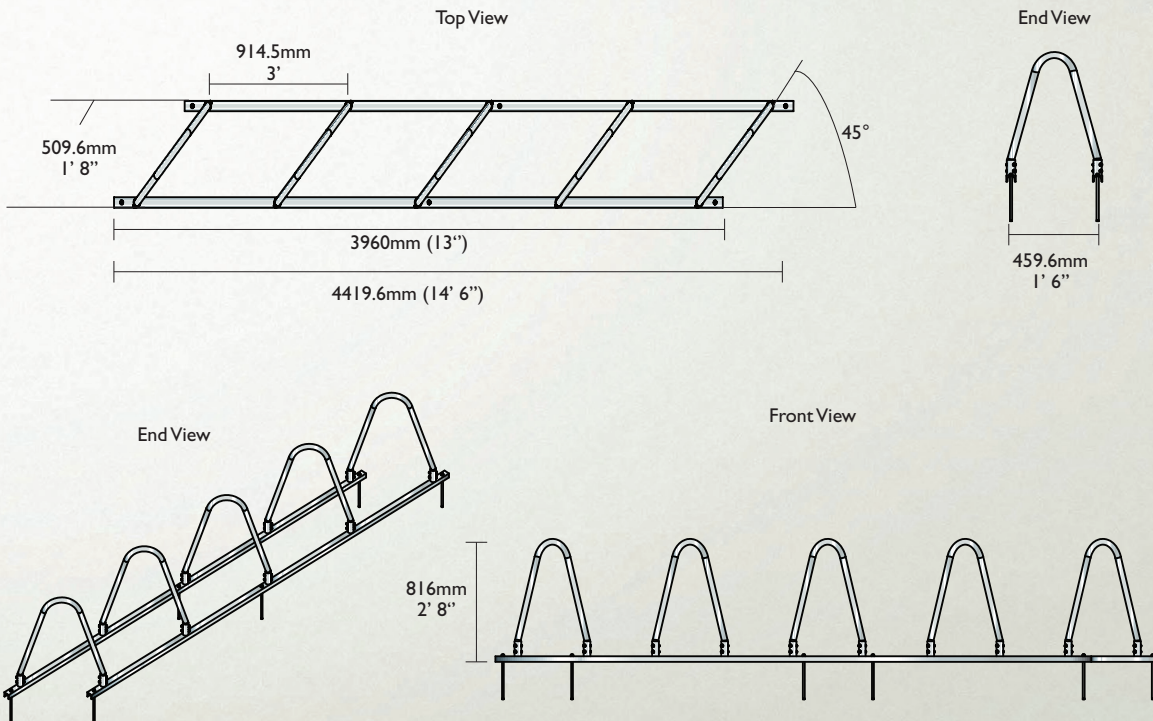
BR135B

Venture Rack



Wheel Supports and Leaning Rack

Supplied in knock-down kit form for easy assembly on site. Fully welded units are also available, but will be more difficult to freight.



PARKLANDS

Material Specifications (General)

Mild steel 38 x 3mm {1.5" x 0.12"} Pipe/ Galvanized / Powder coated in a range of colors
 Channel steel 57 x 37 x 4.5mm {2.25" x 1.5" x 0.18"} channel / Galvanized / Powder coated in a range of colors

