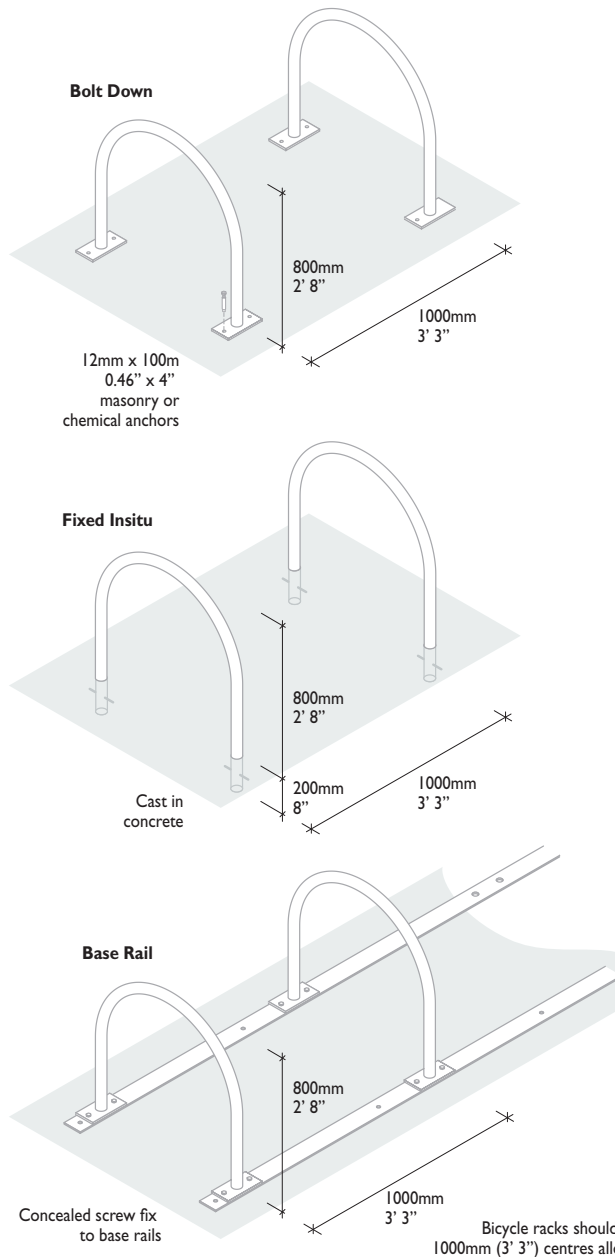


Bicycle Racks

Most hitching racks are supplied complete with 200mm x 100mm (8" x 4") rectangular base plates, allowing for installation by one of 3 methods:

- Bolt down using masonry anchors
- Fixed insitu (cast in)
- Connection to base rails

The main advantage of using the base rail system



is that it eliminates the need for concrete footings and substantially reduces installation costs. It also allows the unit to be relocated with minimum effort and cost. Security is maintained by the overall weight of the combined system.

While bicycle hitching racks potentially provide parking for two bicycles (one either side), in practice they usually only achieve one bicycle per rack, as cyclists are often reluctant to secure their bicycle if another is already tethered to the rack.