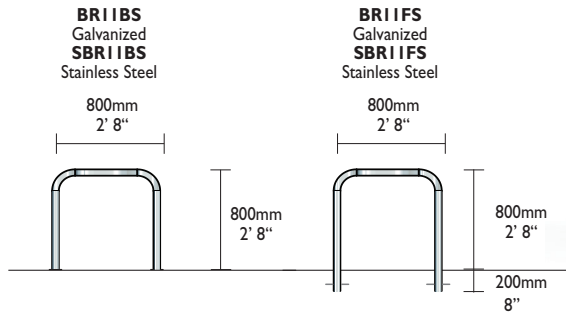
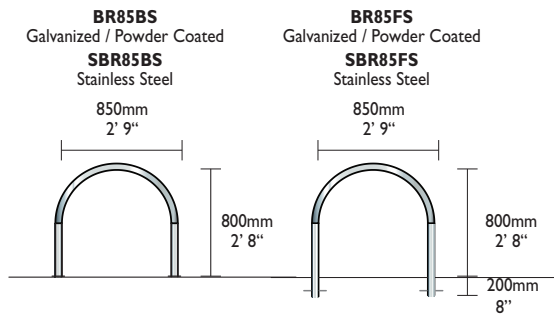


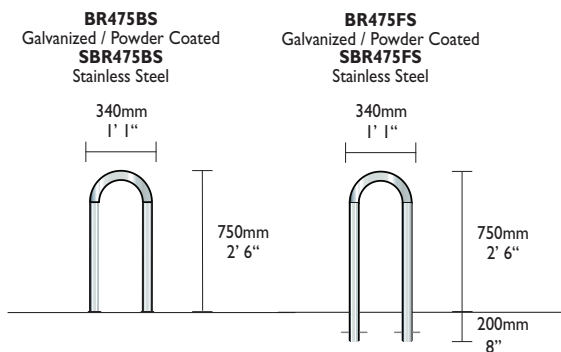
BR11BS



BR85BS



BR475BS



Material Specifications (General)

Mild Steel 40 x 40 x 1.6mm {2" x 2" x 0.06"} Light duty square section RHS / Hot Dipped Galvanized / Powder coated in a range of colors
Stainless Steel 38.1 x 28.1 x 1.42mm {1.5" x 1" x 0.06"} Stainless steel RHS / Bead blasted finish

