

Repair Stations

☎ 1 734 207 9700

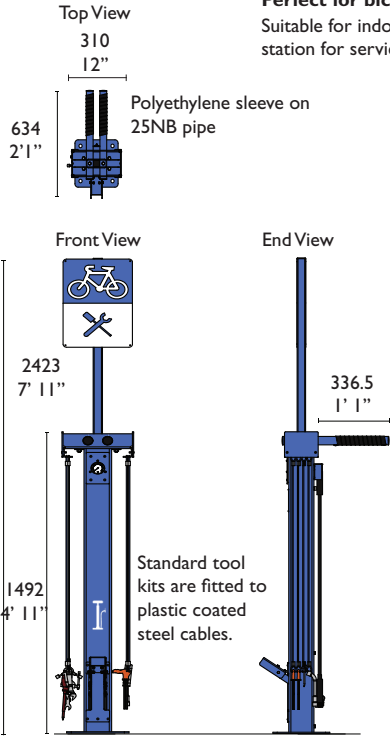
MOST POPULAR MODEL

BBS01A

Indoor/Secured areas.

Perfect for bicycle parking areas.

Suitable for indoor locations, it provides a sturdy repair station for servicing and maintenance.



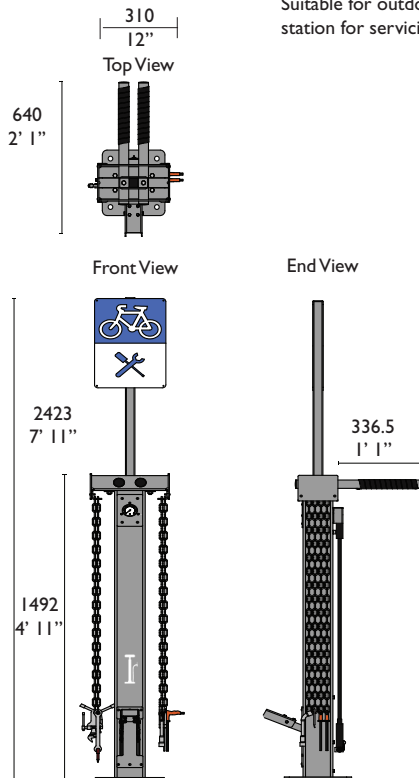
Should be installed at least 500mm (1' 7") from any wall



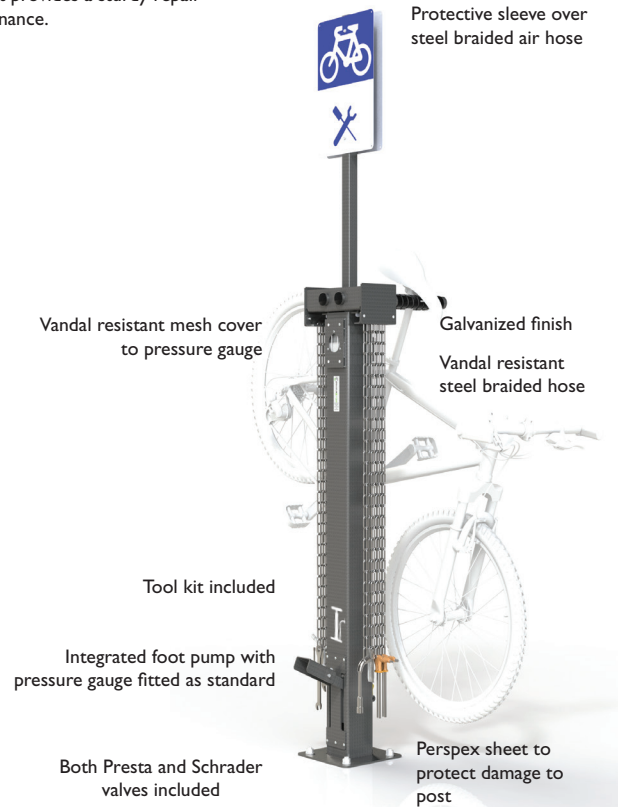
BBS01B

Designed for outdoor public areas

Suitable for outdoor locations, it provides a sturdy repair station for servicing and maintenance.



Should be installed at least 500mm (1' 7") from any wall



Material Specifications (General)

BBS01A	125 x 125 x 4mm (5" x 5" x 0.16") SHS / Painted finish
BBS01B	125 x 125 x 4mm (5" x 5" x 0.16") SHS / Hot dipped galvanized
Cable	10mm (0.4") stainless steel cable