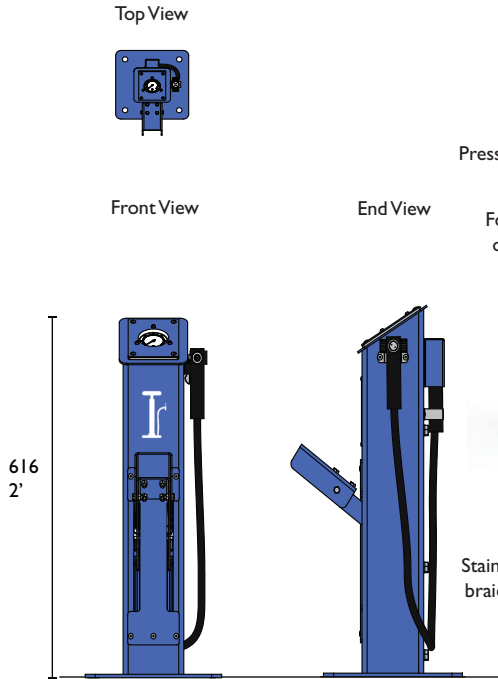


Repair Stations

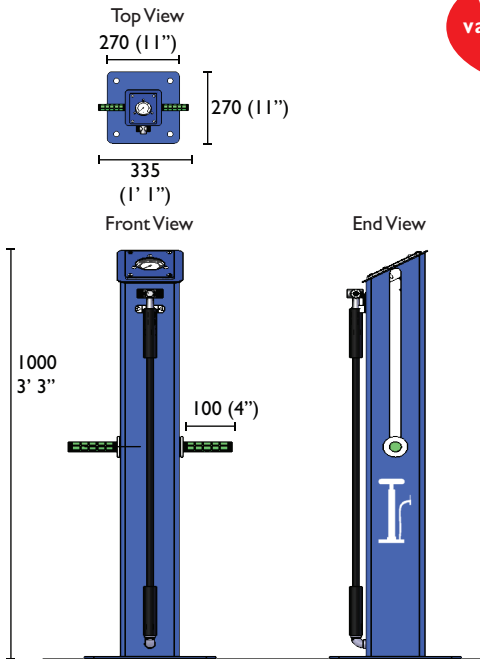
BPS01
Foot Pump



NEW FOR 2017

When installing bike repair and pump stations care should be taken to minimize potential vandalism and tampering with the equipment. Units should be installed in well lit and popular locations, use of electronic surveillance such as CCTV is strongly recommended.

BPS02
Hand Pump



World's first anti vandal bicycle tyre hand pump.



Material Specifications (General)

BPS01	125 x 125 x 4mm (5" x 5" x 0.16") SHS / Hot dipped galvanized
Hand pump	125 x 125 x 4mm (5" x 5" x 0.16") SHS / Hot dipped galvanized