

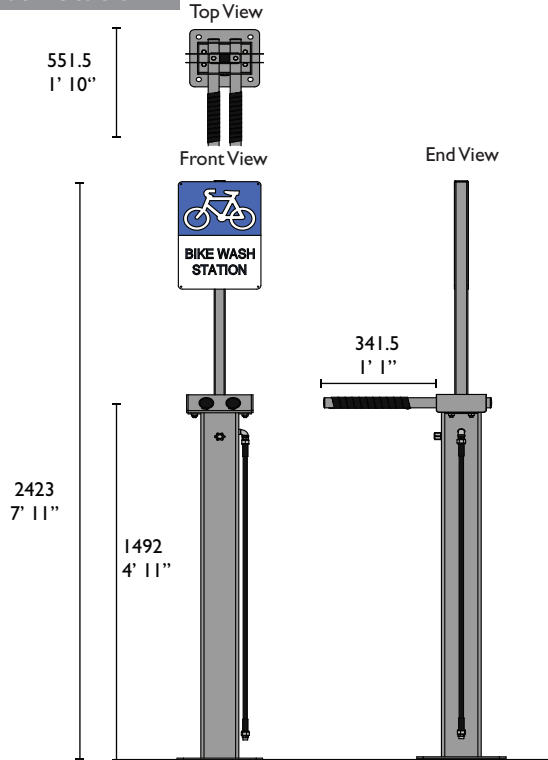
## Repair Stations

1 734 207 9700



### BBRSW01 Wash Station

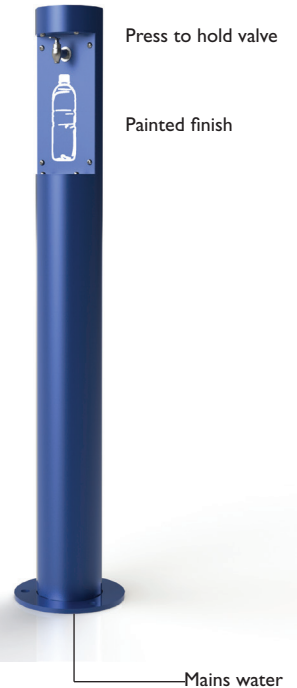
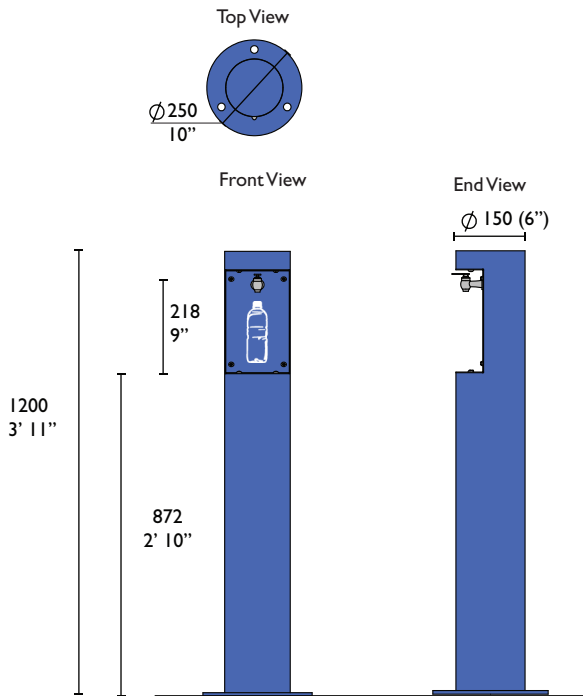
Connects to mains water supply. Pressure nozzle allows general wash down at bicycles. Perfect for mountain bikes areas to wash down mud.



Note: This is not a powered high pressure water jet.

### BBRSW02 Water Bottle Fill Station

Ideal for cycling hubs where cyclists can fill up their water bottles. Connects to mains water supply.



#### Material Specifications (General)

Wash Station 125 x 125 x 4mm (5" x 5" x 0.16") SHS / Painted finish  
 Water Bottle Fill Station  $\varnothing 150$  x 3mm  $\varnothing 6$ " x 0.12"} main body