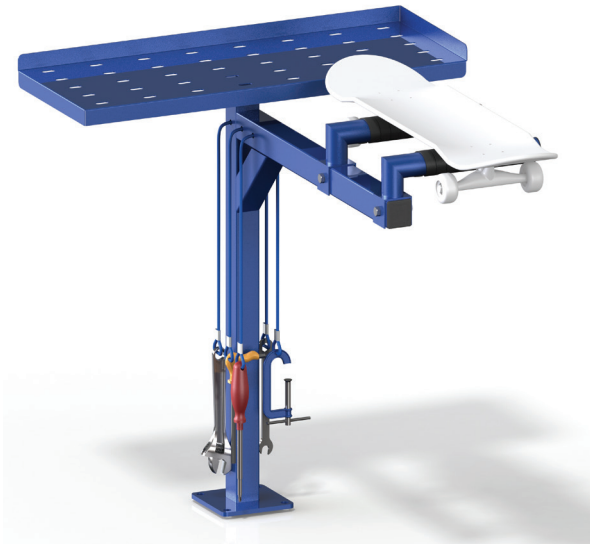


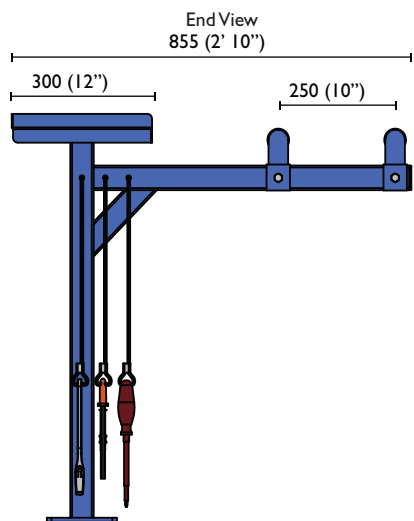
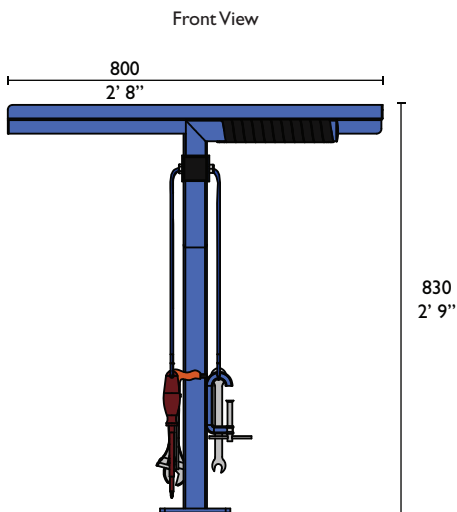
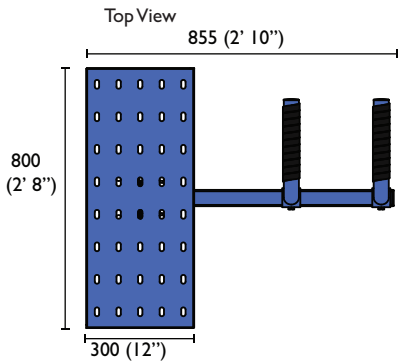
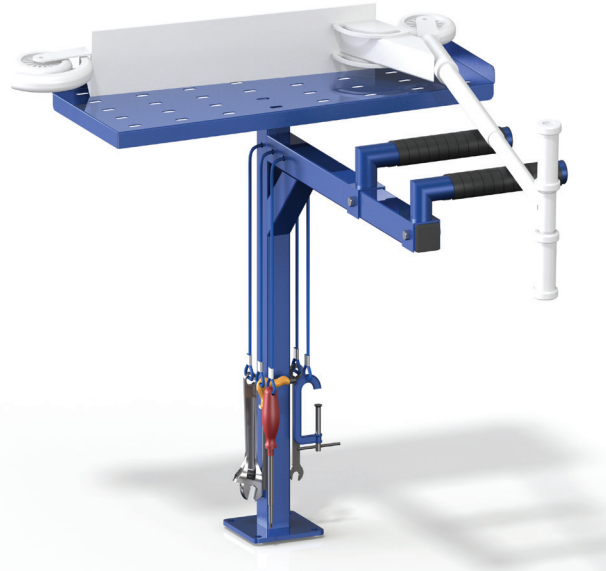
**BBRS33**  
Scooter Repair Station

Public scooter and skateboard repair station. Perfect for skateboard parks.

Skateboard Configuration



Scooter Configuration



**Tools included:**

- Phillips Screw driver
- Axle Nut Wrench
- Mount Nut Wrench
- Hex Driver
- Kingpin Nut Wrench
- 1/2 inch Nut Wrench
- Allen Keys
- Vice Grip
- Adjustable Wrench
- Screw Driver

**Material Specifications (General)**  
Scooter Repair Station 50 x 50 x 2mm {2" x 2" x 0.08"} SHS