

End-Of-Journey Facilities

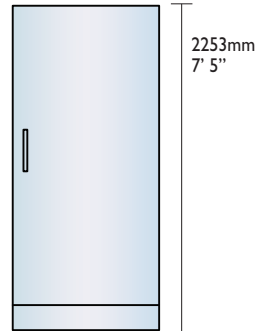
☎ 1 734 207 9700

UBCB1

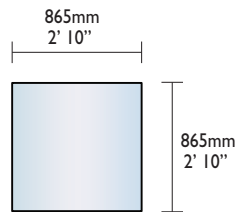
Vandal Resistant Stainless Steel

- Includes:
- Shower
 - Toilet
 - Sink
 - Mirror
 - Drain
 - Lighting
 - Exhaust fan

Front View



TopView

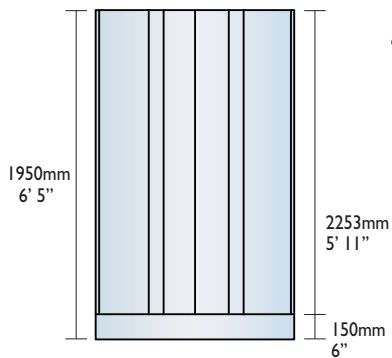


UBCB2

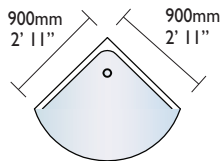
Shower Only

- Includes:
- Shower
 - Drain
 - Lighting
 - Exhaust fan

Front View



TopView



Material Specifications (General)

UBCB1 Stainless Steel Grade 304
UBCB2 Stalinite and aluminium

