

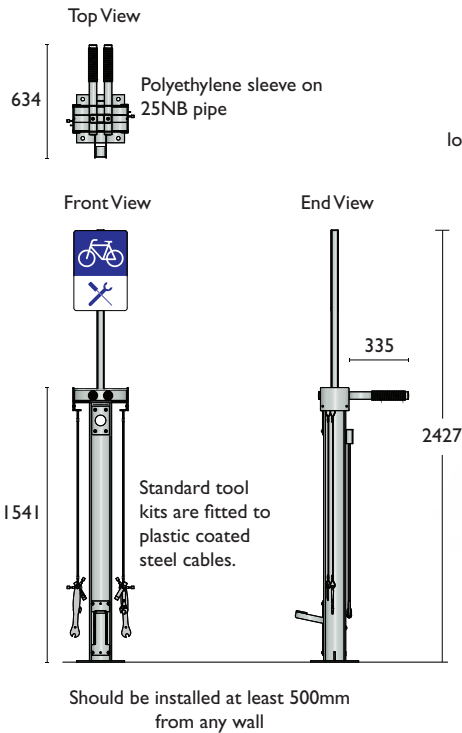
Repair Stations

Product Range

1300 780 450

BBS01

PLEASE NOTE: This product comes in galvanised finish as standard. However, it can be powder coated in a range of colours at an additional cost to suit requirements.



Bike repair signage
300 x 450

Suitable for both indoor and outdoor locations, it provides a sturdy repair station for servicing and maintenance.

Vandal resistant mesh cover to pressure gauge

Tool kit included

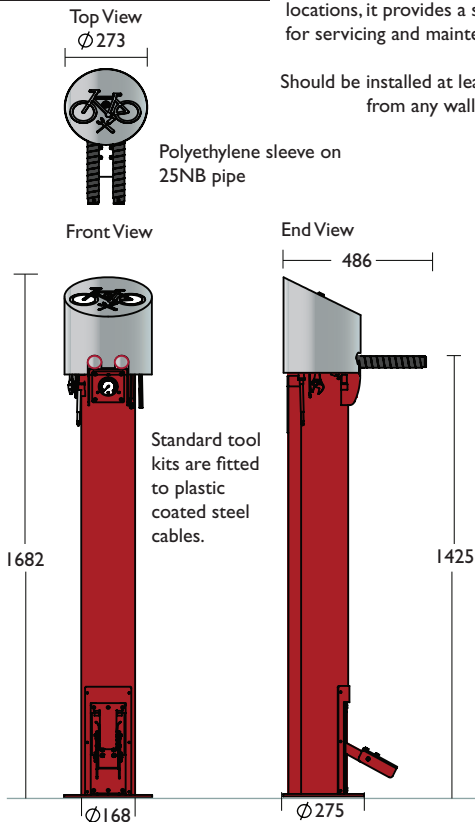
Integrated foot pump with pressure gauge fitted as standard



BBS02

Suitable for both indoor and outdoor locations, it provides a sturdy repair station for servicing and maintenance.

Should be installed at least 500mm from any wall



Bike repair signage

Optional signage: "This repair station is under electronic surveillance, vandals will be prosecuted."

Vandal resistant mesh cover to pressure gauge

Retractable tools

Vandal resistant stainless steel braided hose

Integrated foot pump with pressure gauge fitted as standard

Both Presta and Schrader valves included



Material Specifications (General)

BBS01	120 x 120 x 2.8mm SHS / Hot dipped galvanised
BBS02	Ø168 / Ø273 Hot dipped galvanised pipe
Cable	5mm steel crimped wire rope

Introduction	1
Bicycle Facts	4
Design Guide	6
Product Selection	7
Consulting	12
Installation	13
Security Classes	14
PRODUCT RANGE	
Rails	15
Racks	23
Repair Stations	46
End-of-Journey	50
Cages	64
Lockers	68
Shelters	74
Scooters Racks	78
Other Products	80
AS2890.3 Overview	82
Packaging	85
Index	86

LATEST MODEL